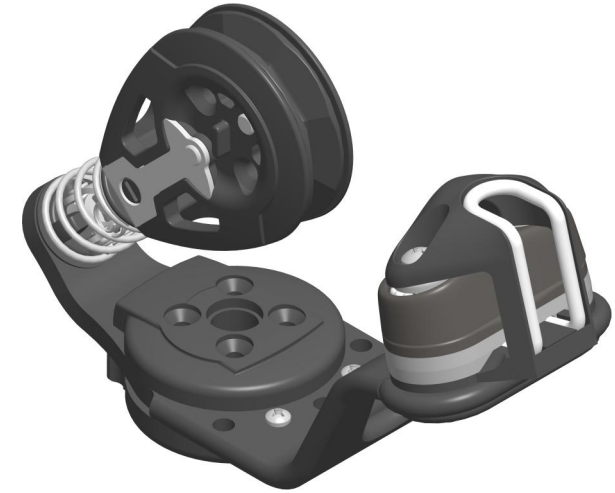
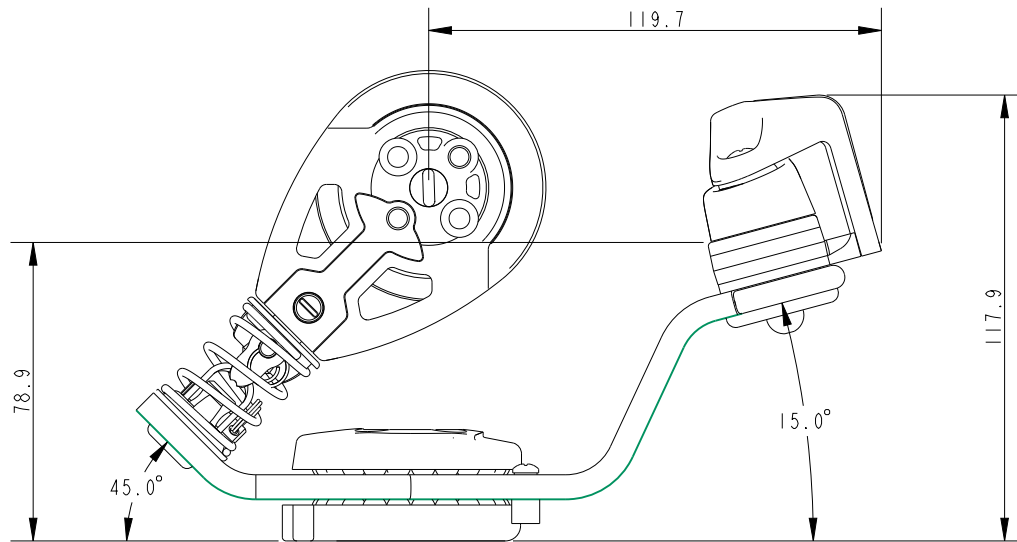


Stoppers can be adjusted
in 10° intervals



Specification

HWD mm	Fixing Hole Size	Fixing Hole Pitch mm	MWL kg	Weight g
118x73x197	M5	19.5x19.5	600	490

DIMENSIONS FOR REFERENCE ONLY
allenbrothers.co.uk
 +44(0)1621 772477

Title	Description
A5266COMP-ASS-REF	Compact Jammer with A2160